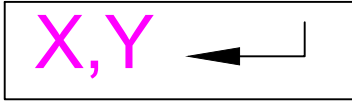
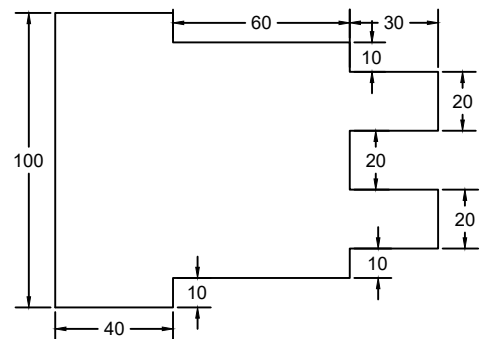
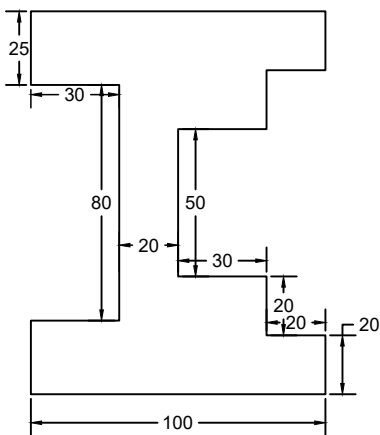
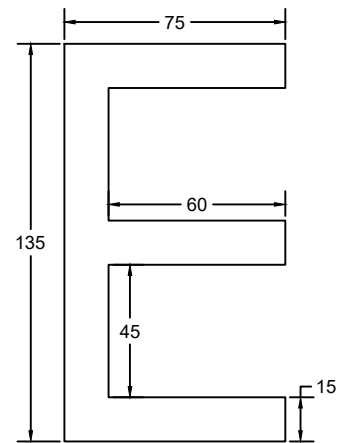
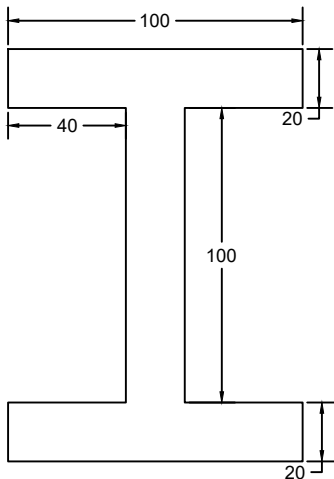
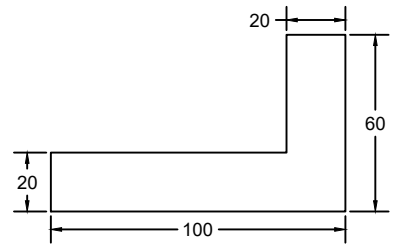
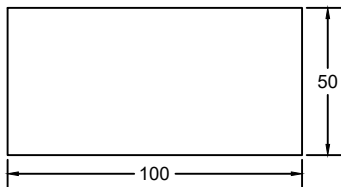


WELL VISTA TECHNICAL INSTITUTE

Absolute



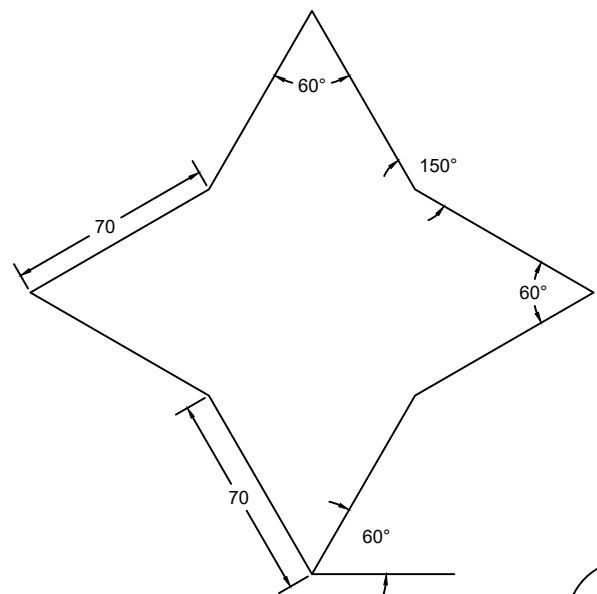
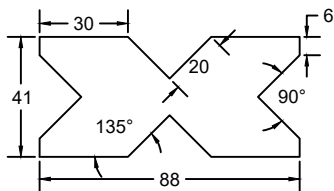
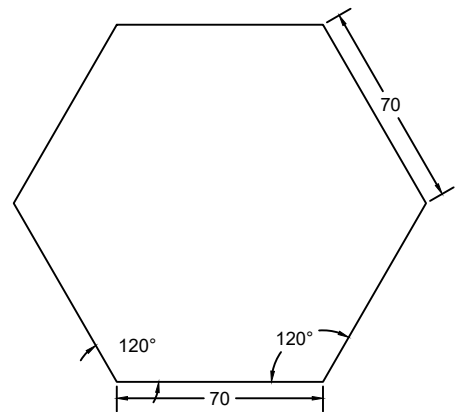
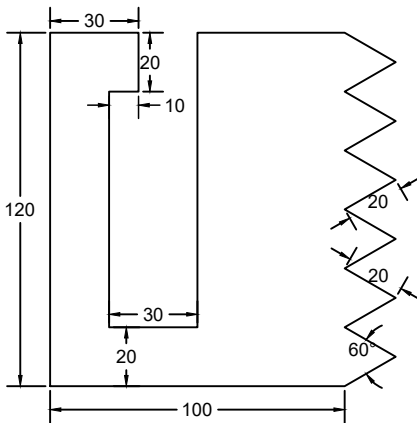
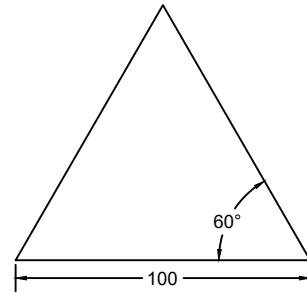
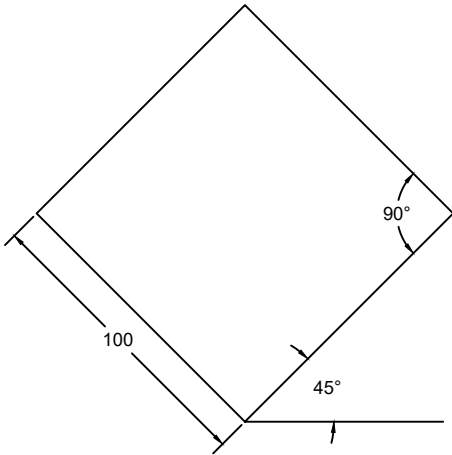
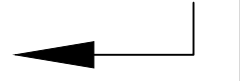
Relative Rectangular



WELL VISTA TECHNICAL INSTITUTE

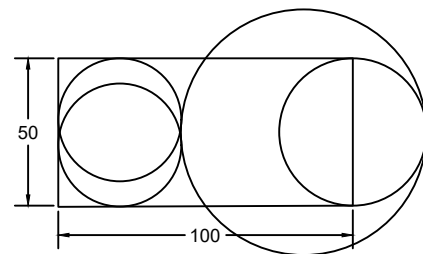
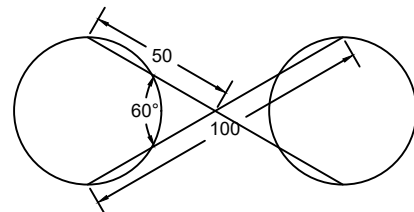
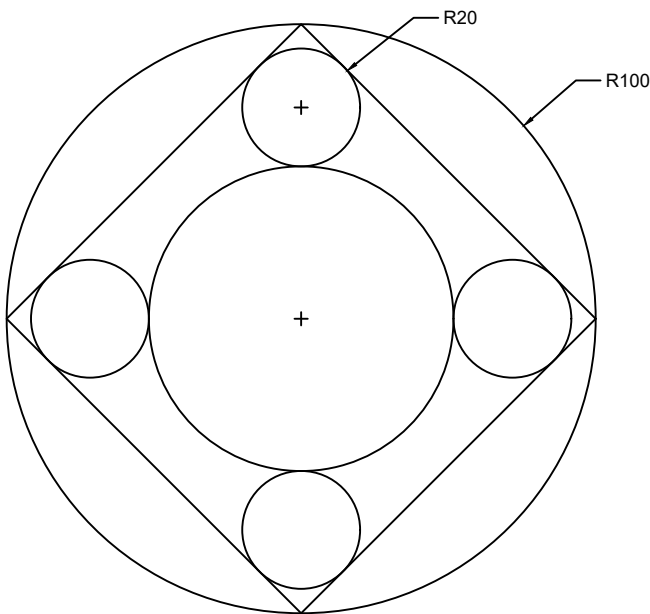
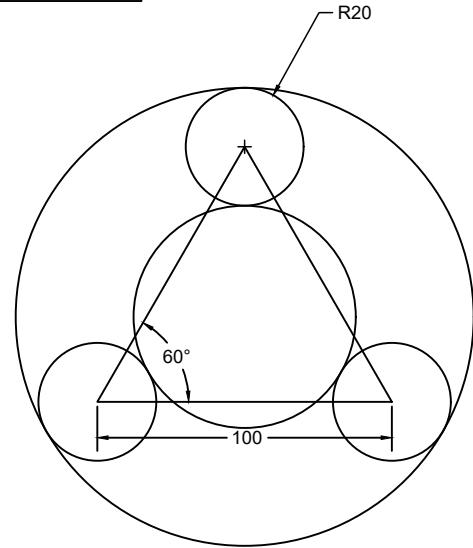
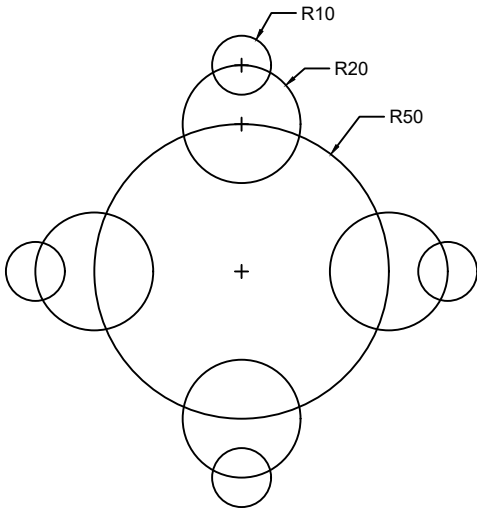
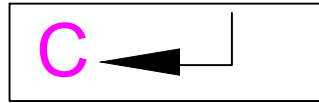
POLAR:

@Length<Angle



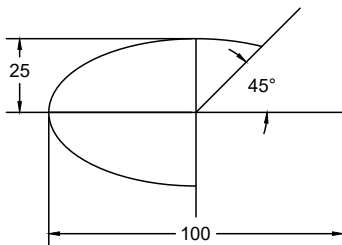
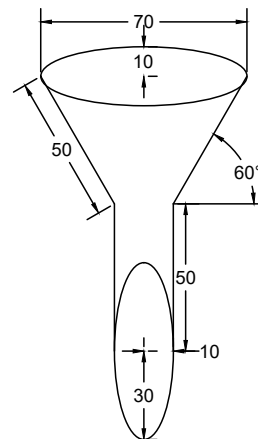
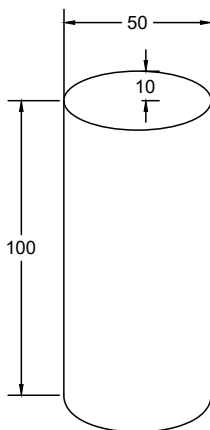
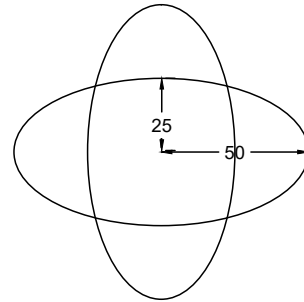
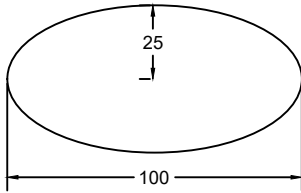
WELL VISTA TECHNICAL INSTITUTE

CIRCLE



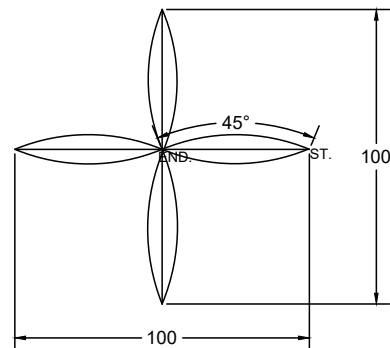
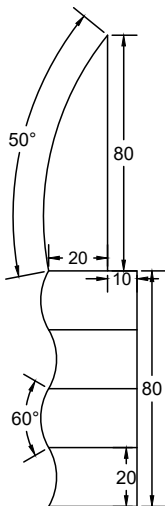
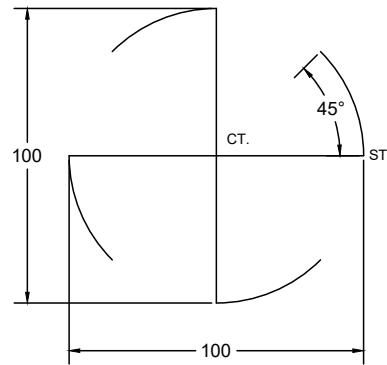
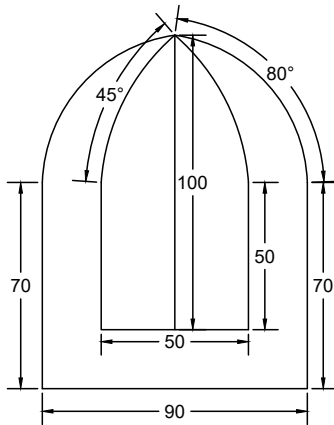
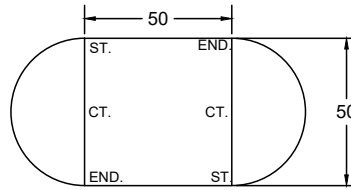
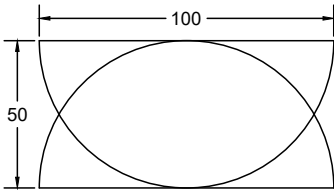
WELL VISTA TECHNICAL INSTITUTE

ELLIPSES EL



WELL VISTA TECHNICAL INSTITUTE

ARC



WELL VISTA TECHNICAL INSTITUTE

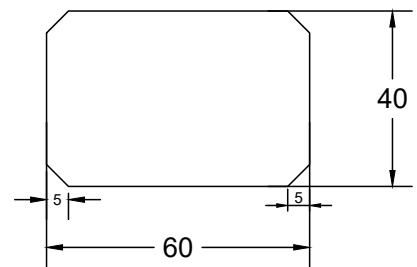
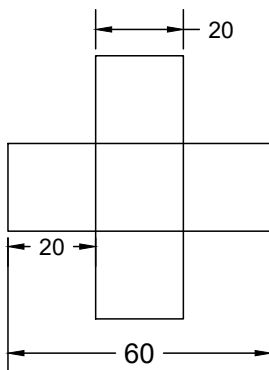
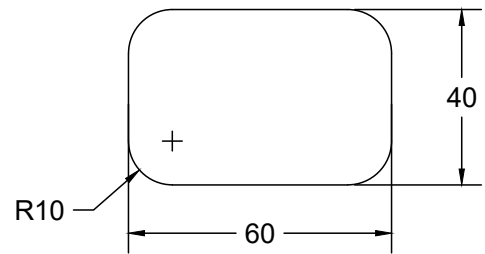
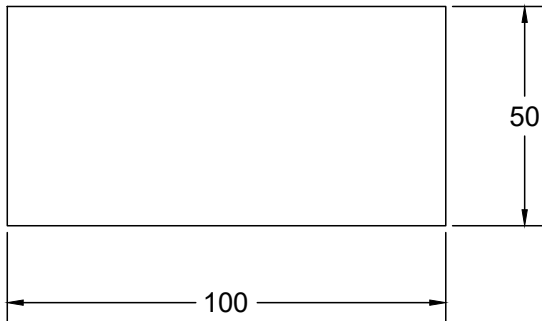
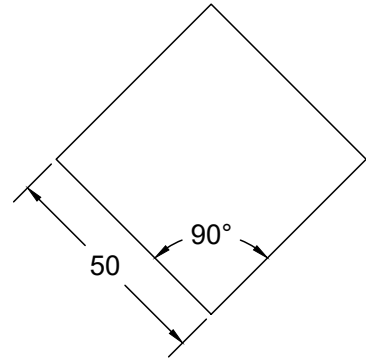
RECTANGLE

REC



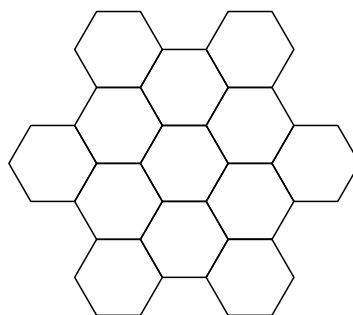
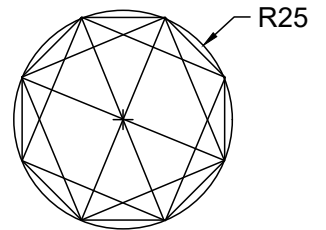
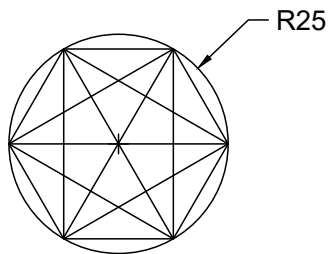
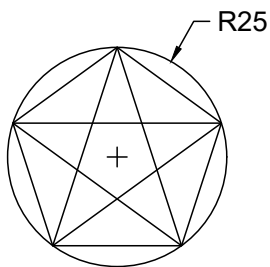
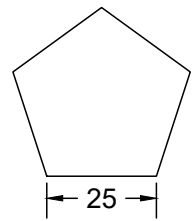
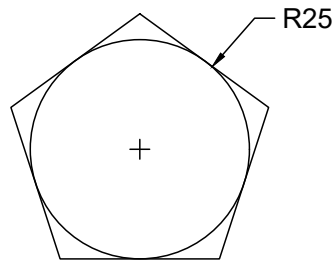
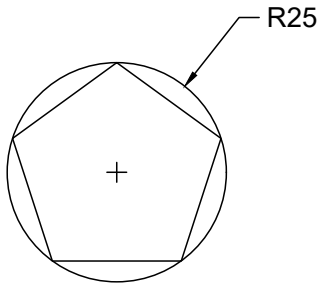
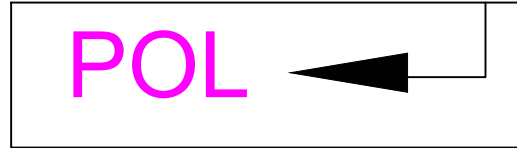
DIMENSION : 20 X 40
30 X 70
45 X 80

AREA : 1500 L = 32
2000 W = 45
1650 L = 25



WELL VISTA TECHNICAL INSTITUTE

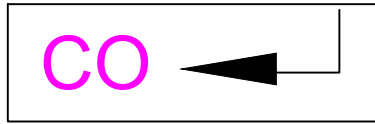
POLYGON



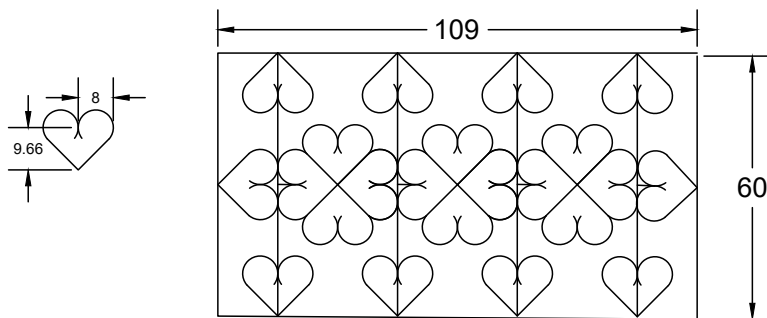
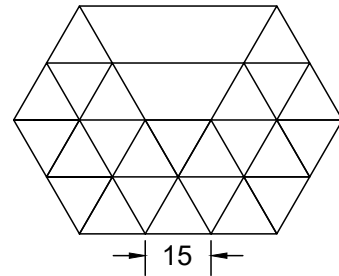
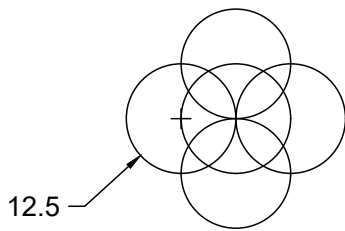
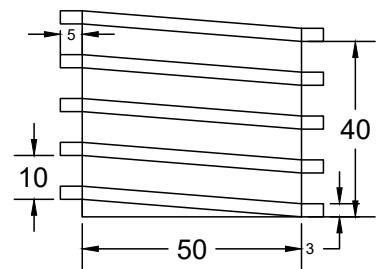
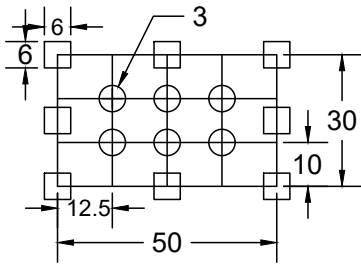
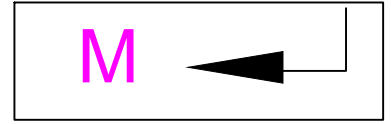
EDGE :10

WELL VISTA TECHNICAL INSTITUTE

COPY

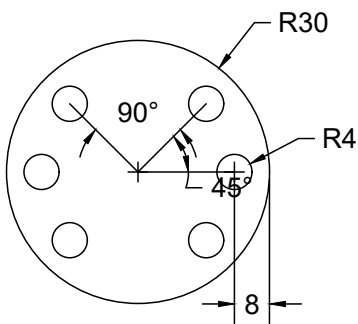
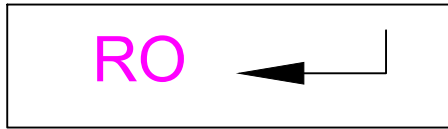


MOVE

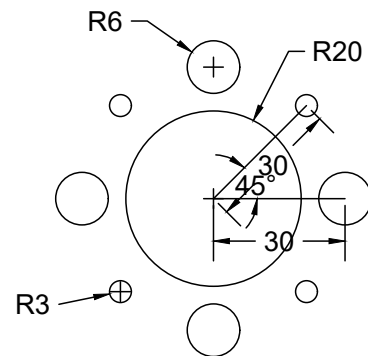


WELL VISTA TECHNICAL INSTITUTE

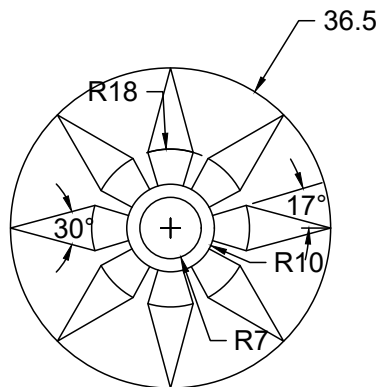
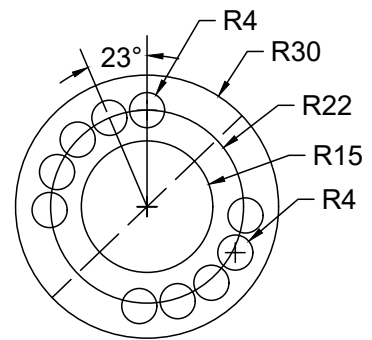
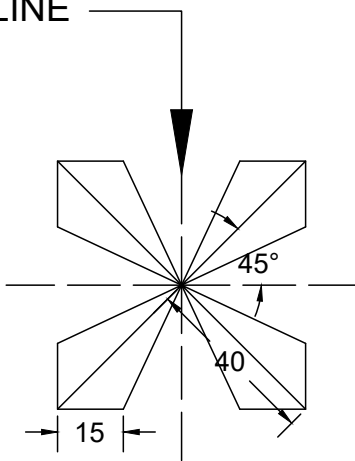
ROTATE



MIRROR

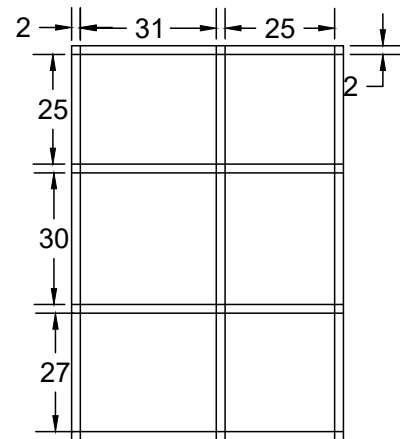
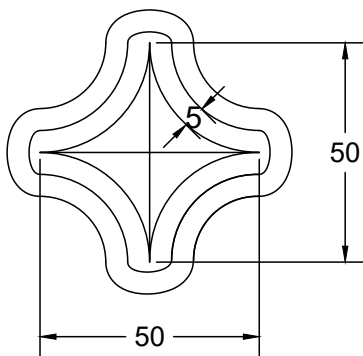
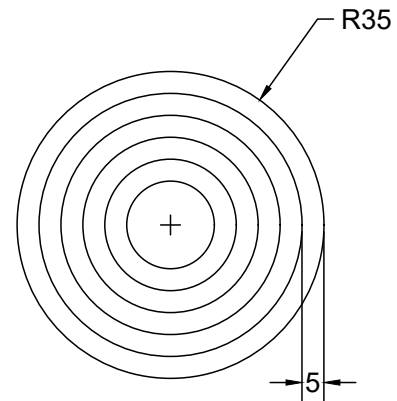
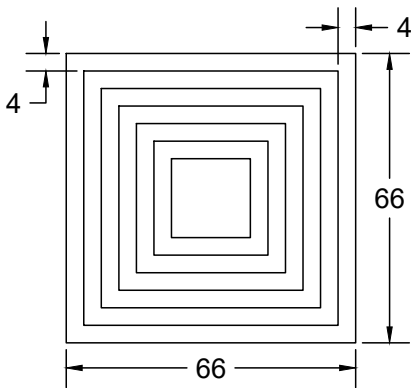
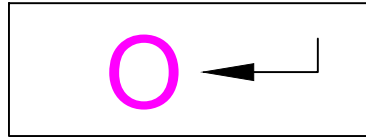


MIRROR LINE



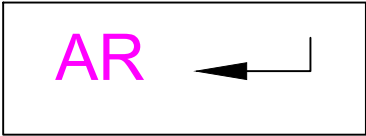
WELL VISTA TECHNICAL INSTITUTE

OFFSET

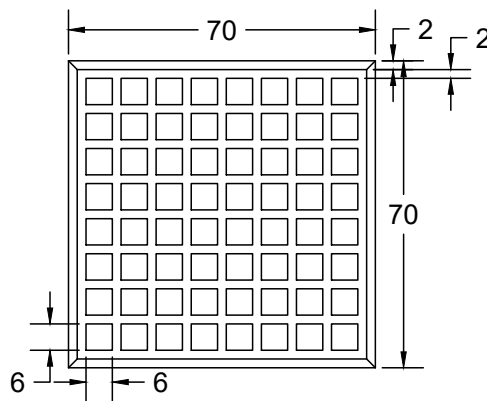
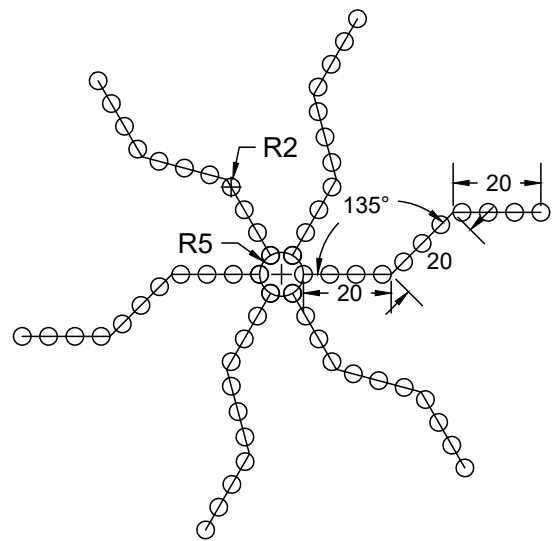
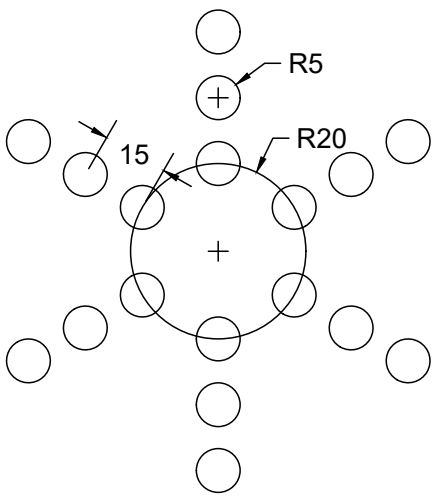


WELL VISTA TECHNICAL INSTITUTE

ARRAY

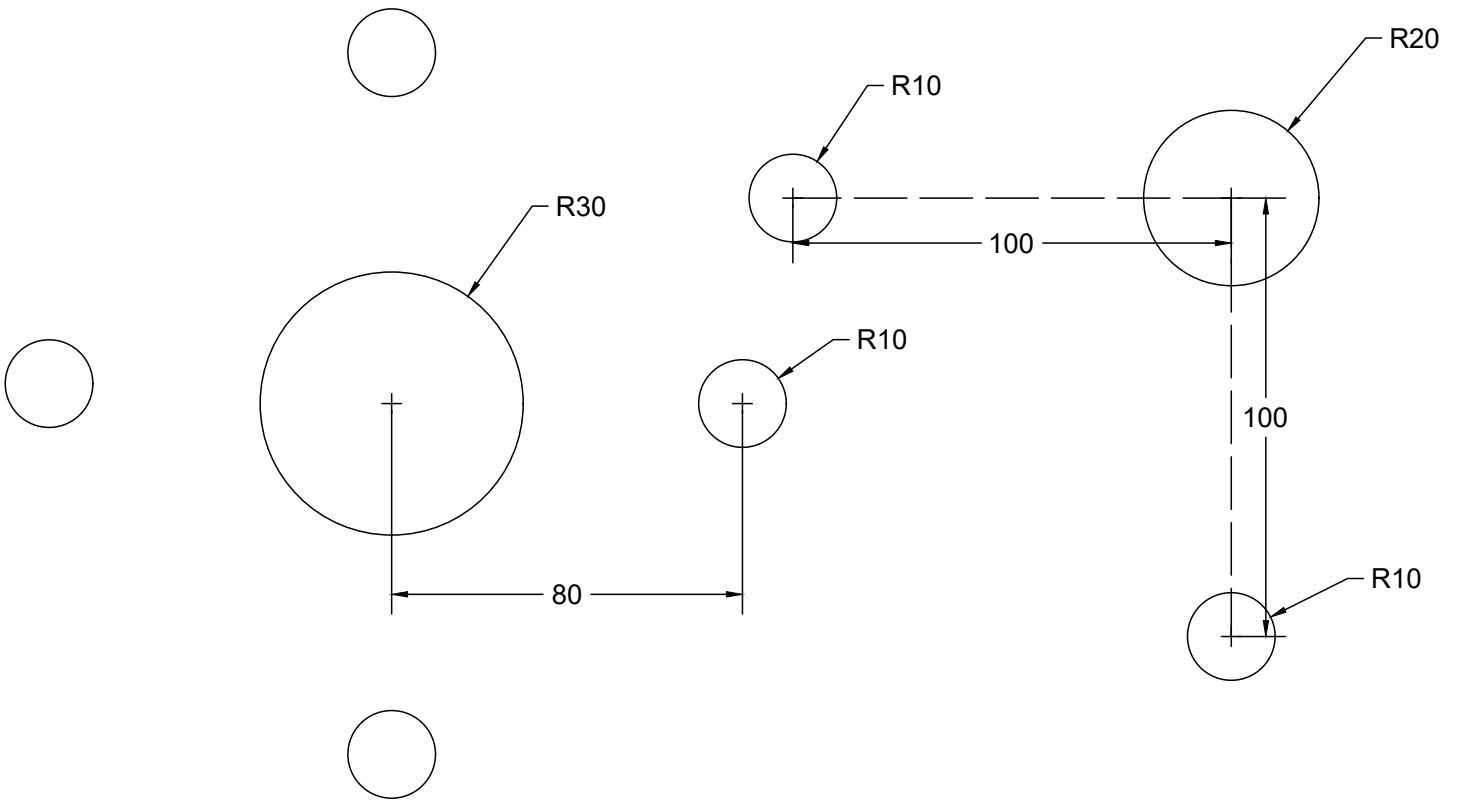
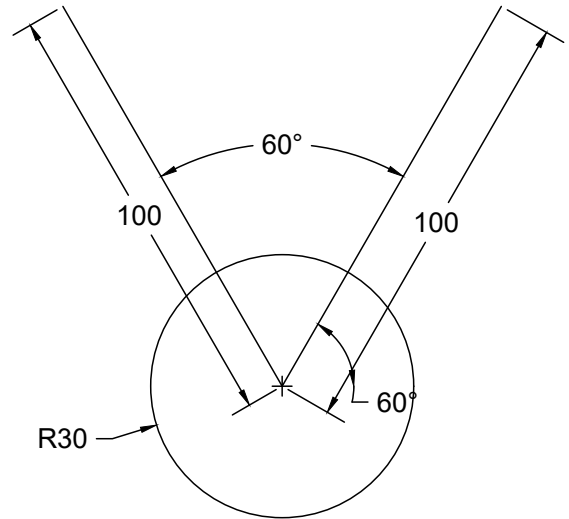
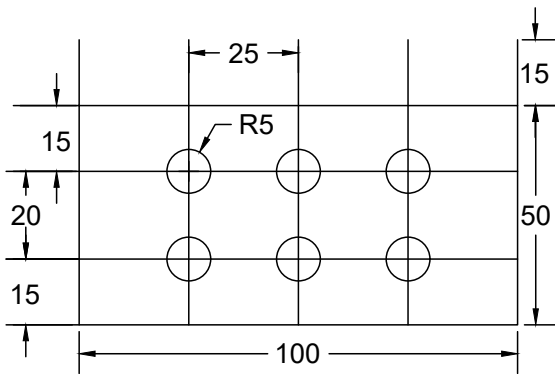


Rectangular | Path | Polar



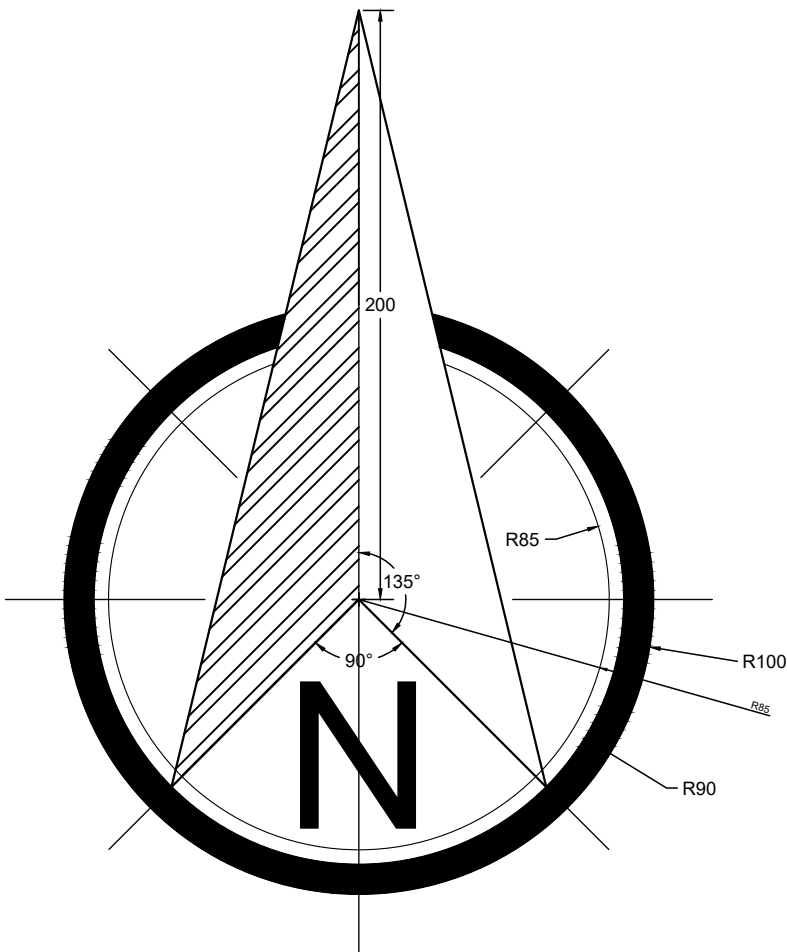
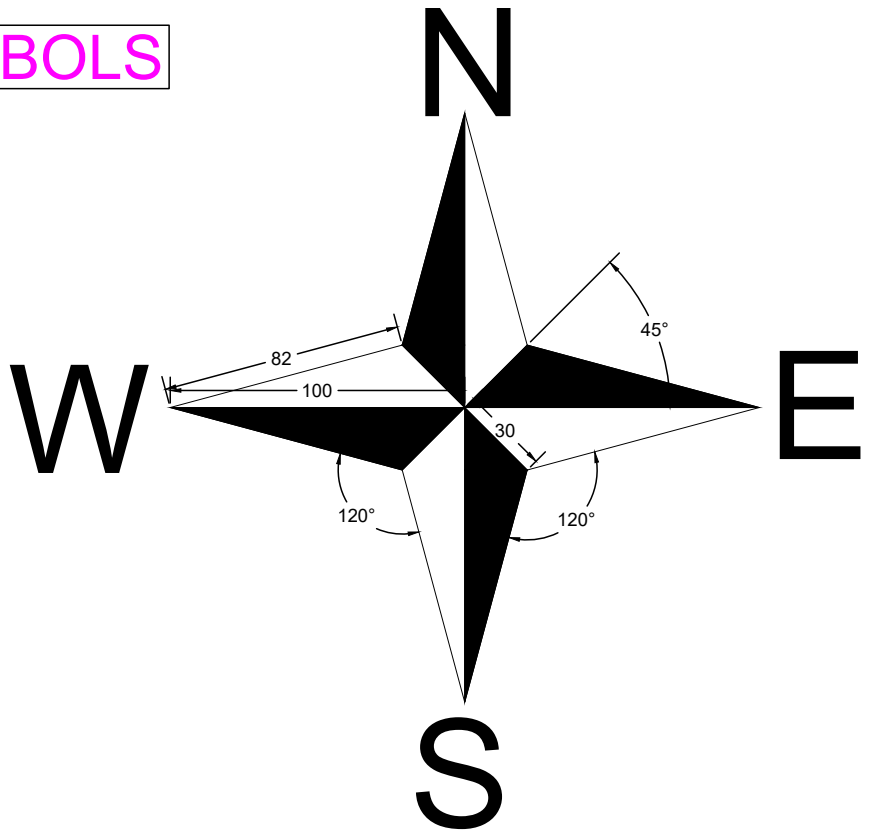
Object Snap Tracking

F11



WELL VISTA TECHNICAL INSTITUTE

DIRECTION SYMBOLS



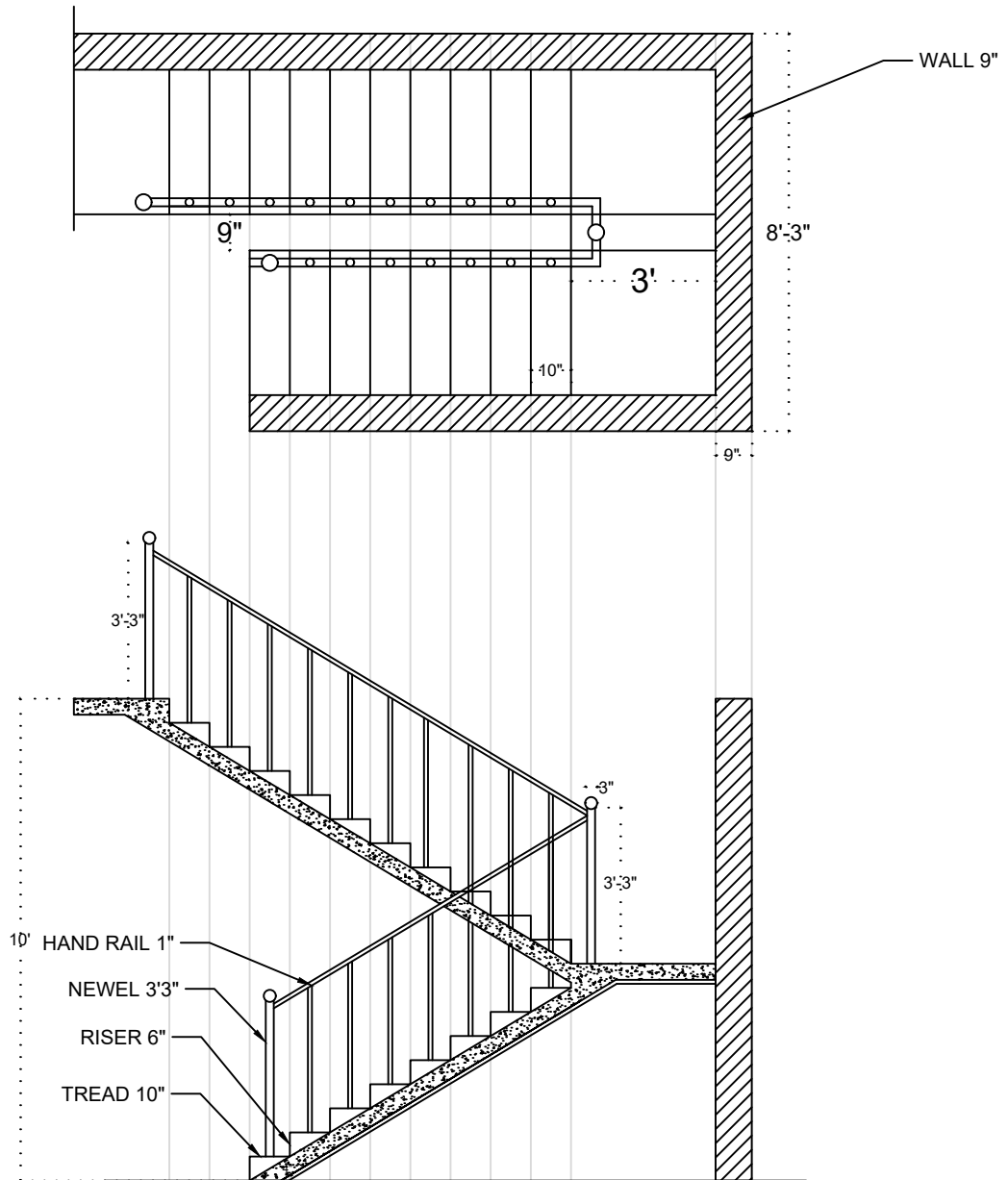
WELL VISTA TECHNICAL INSTITUTE

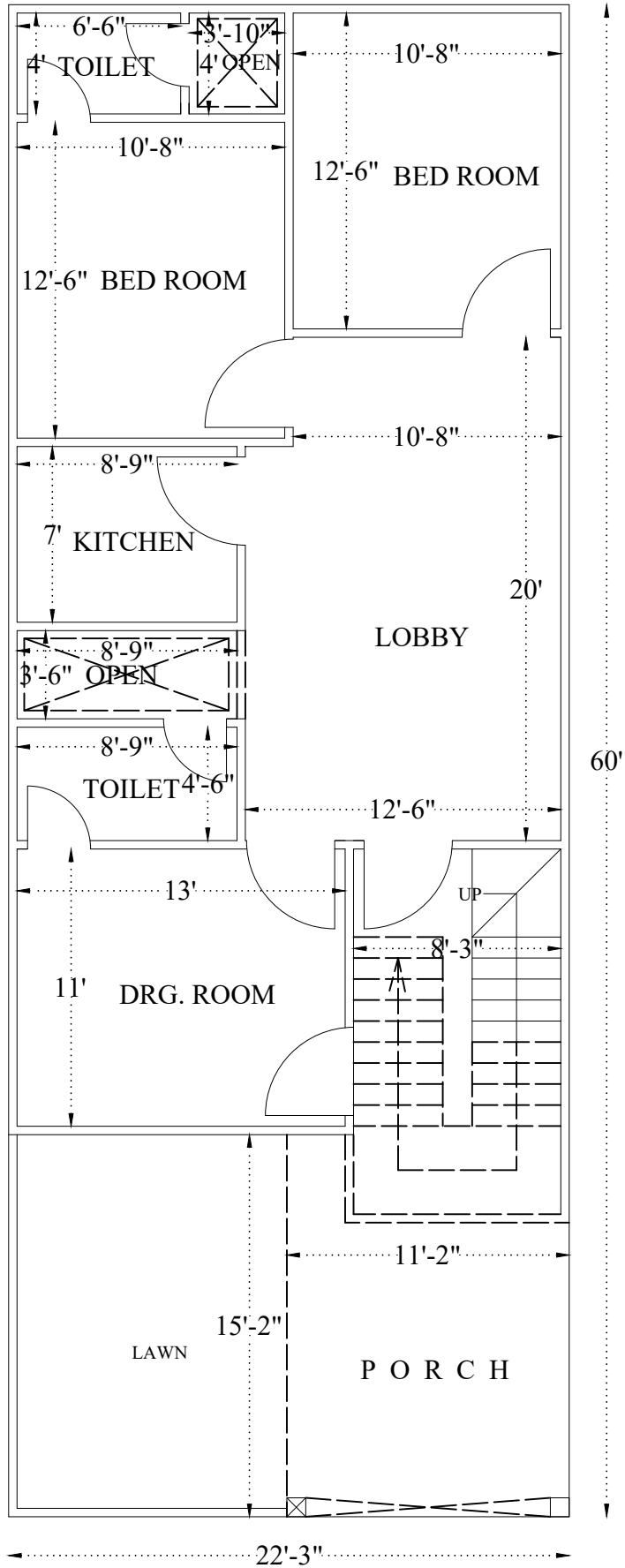
ATTRIBUTES ATT ←

NAME OF COMPANY NAMEOFCOMPANY			NAME	DATE	
		DESIGNED	DESIGNED1	DATE1	↑
		DRAWN BY	DRAWNB2	DATE2	↓
		CHECKED	CHECKED3	DATE3	7
		STANDARD	STANDARD4	DATE4	↓
		APPROVED	APPROVED5	DATE5	7
SCALE	TITTLE TITTLE	DRAWING NO.		↑	
SCALE		DRAWINGNO.		20	

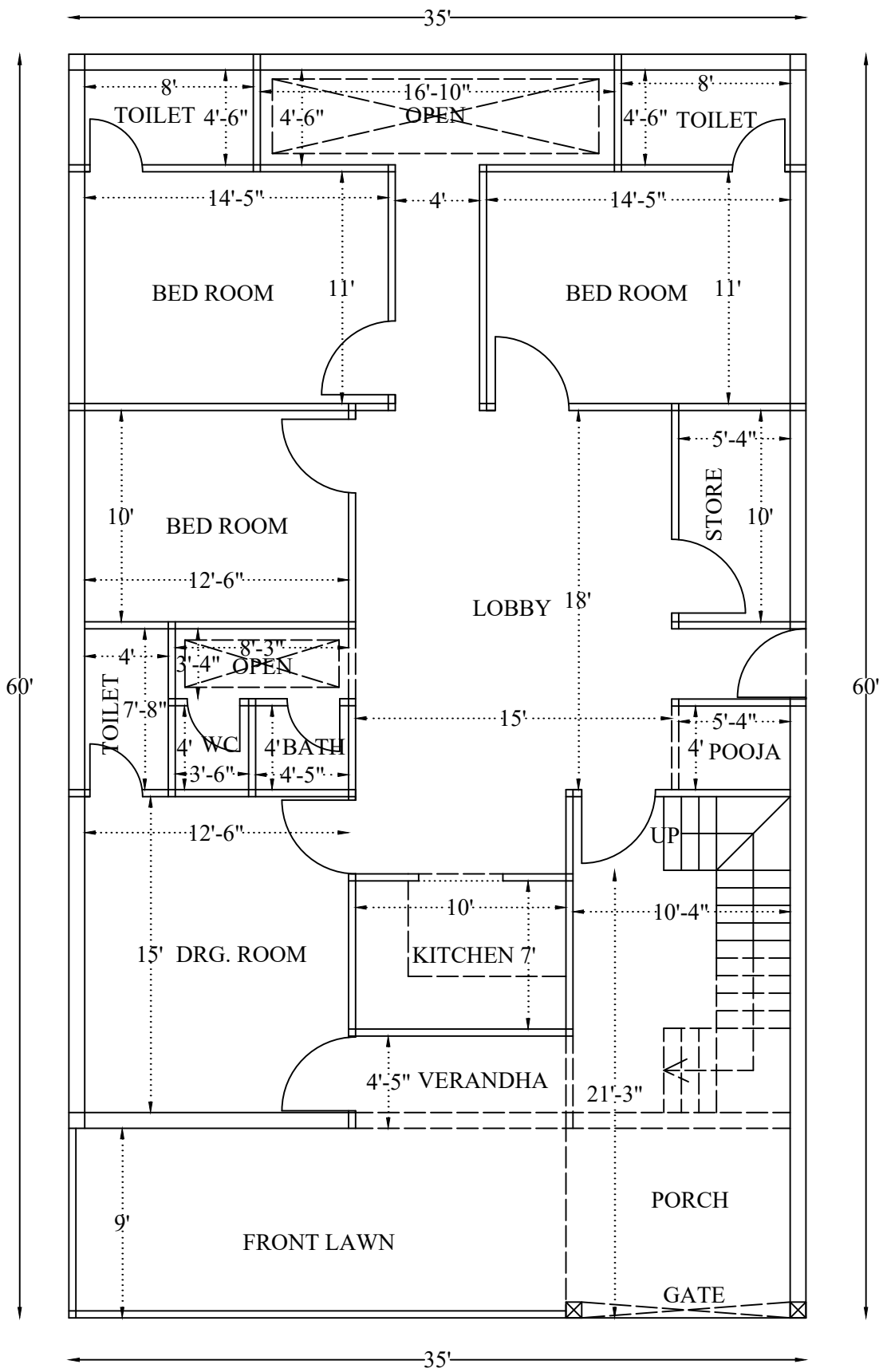
NAME OF COMPANY WELL VISTA TEC. INSTITUTE			NAME	DATE	
		DESIGNED	ER.VRIJESH	01/12/23	↑
		DRAWN BY	ER.VRIJESH	05/12/23	↓
		CHECKED	DIR.SIR	10/12/23	↓
		STANDARD	165X65	15/12/23	↓
		APPROVED	DIR. SIR	27/05/23	7
SCALE	TITTLE G. F PLAN	DRAWING NO.		↑	
1:100		1		20	

WELL VISTA TECHNICAL INSTITUTE

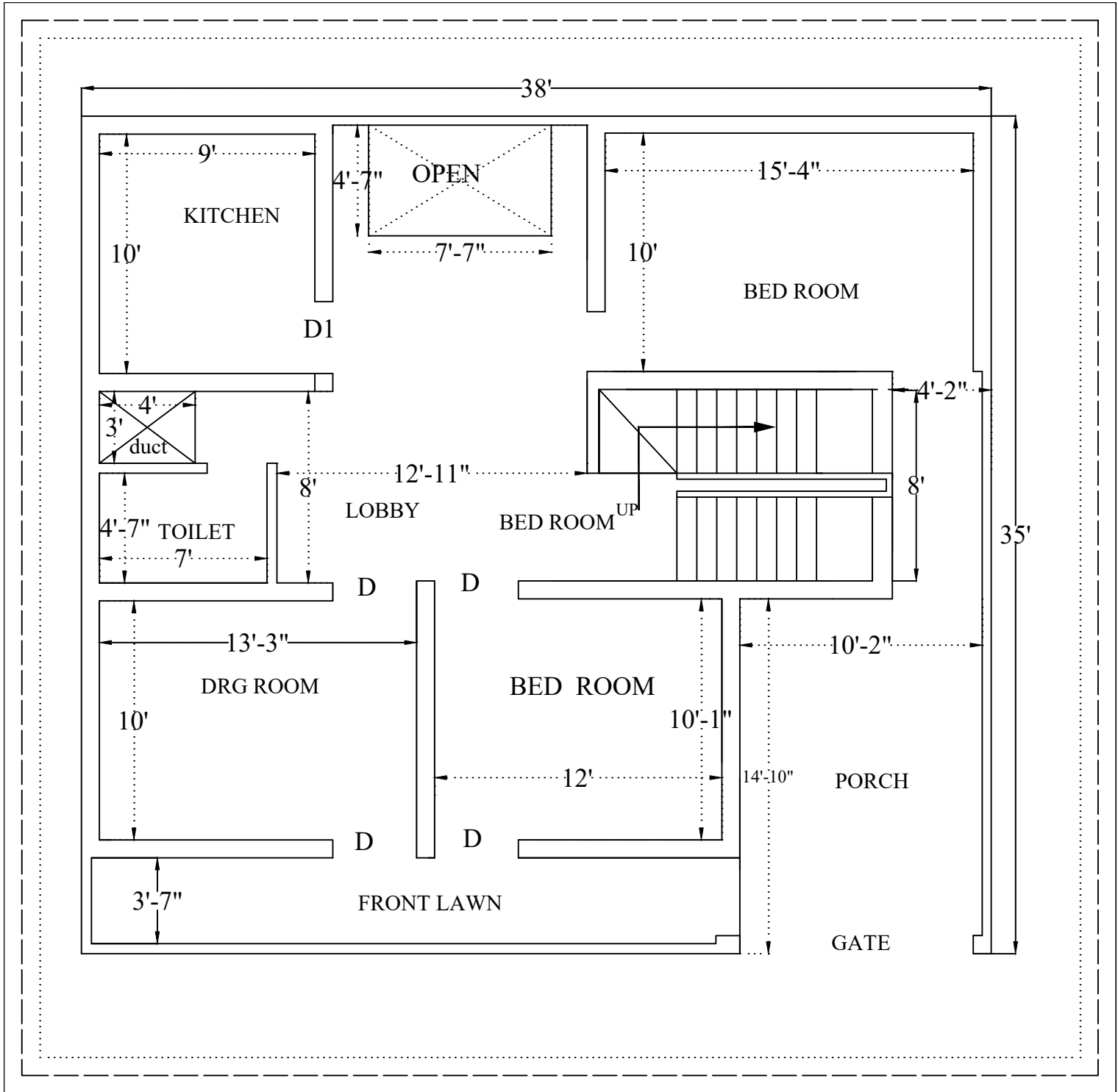


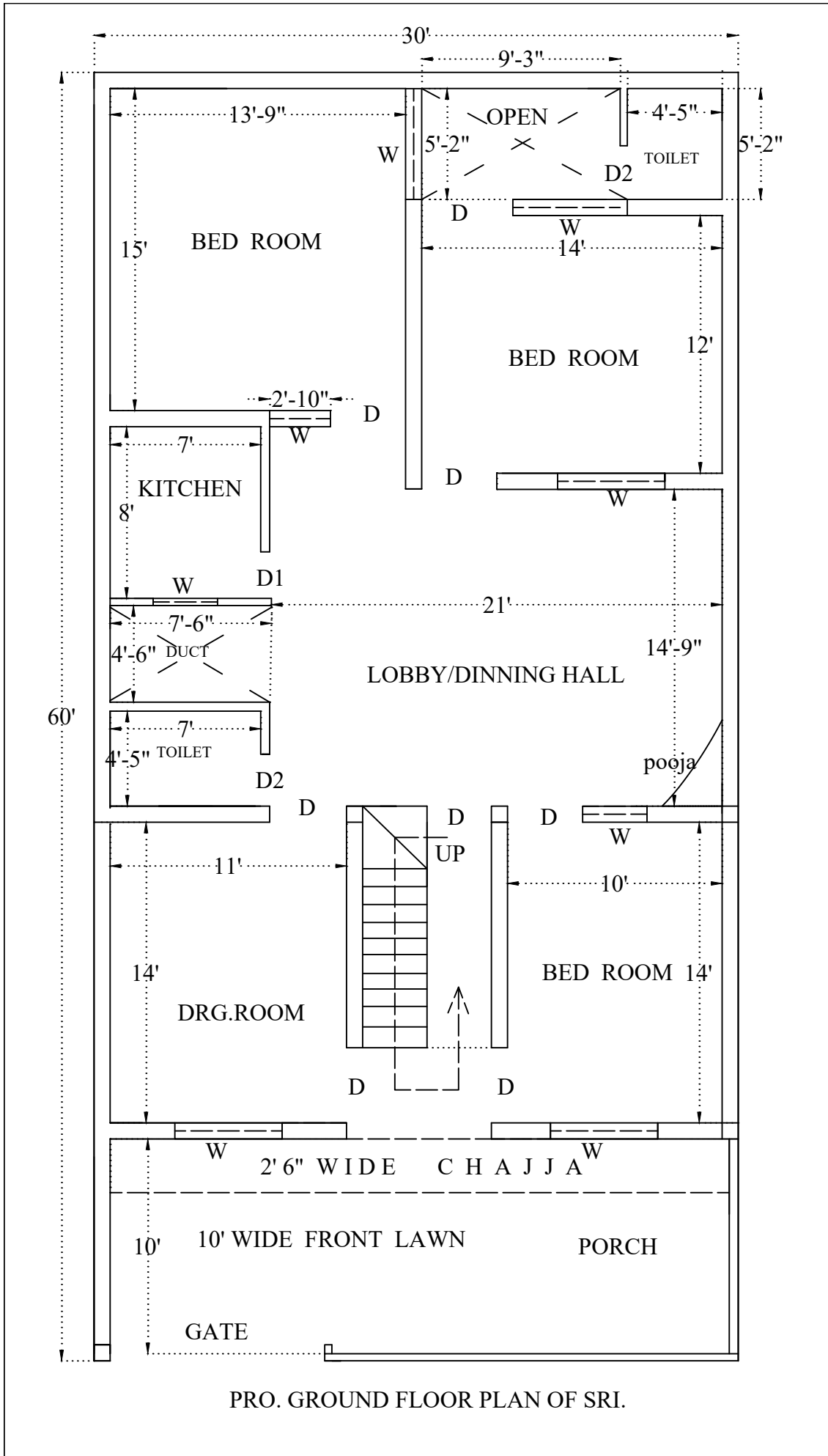


PRO. G. F. PLAN

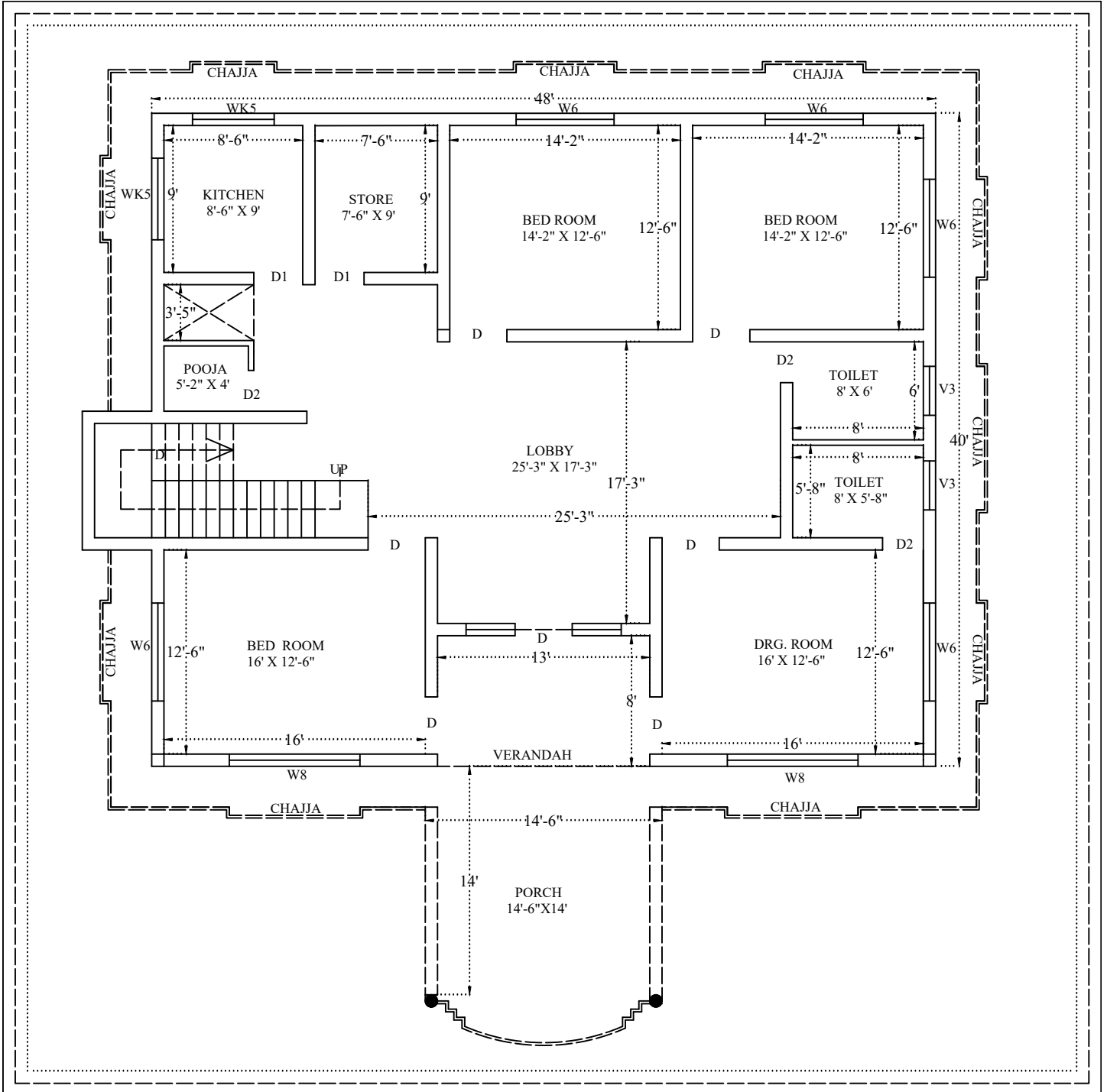


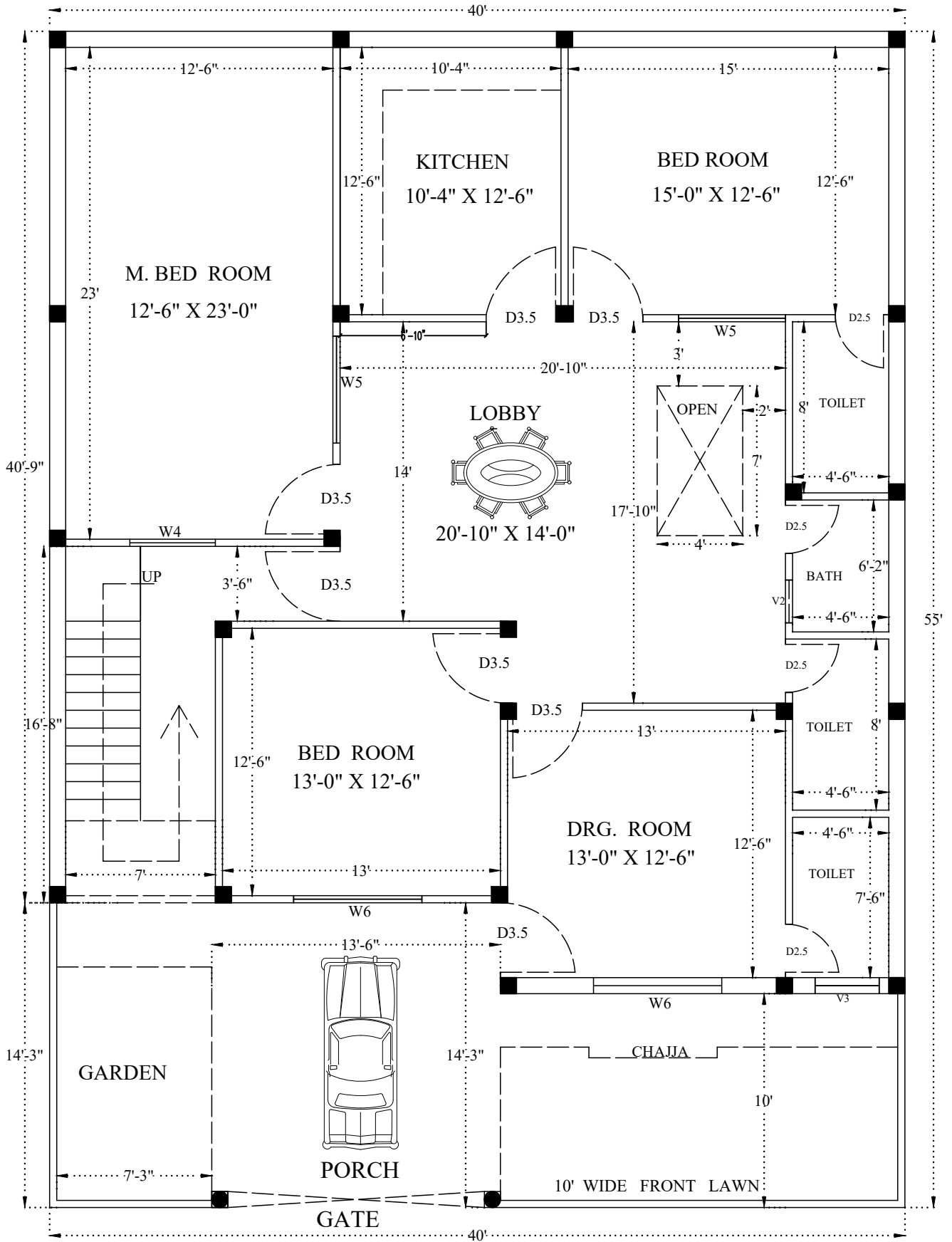
PRO.GROUND FLOOR PLAN



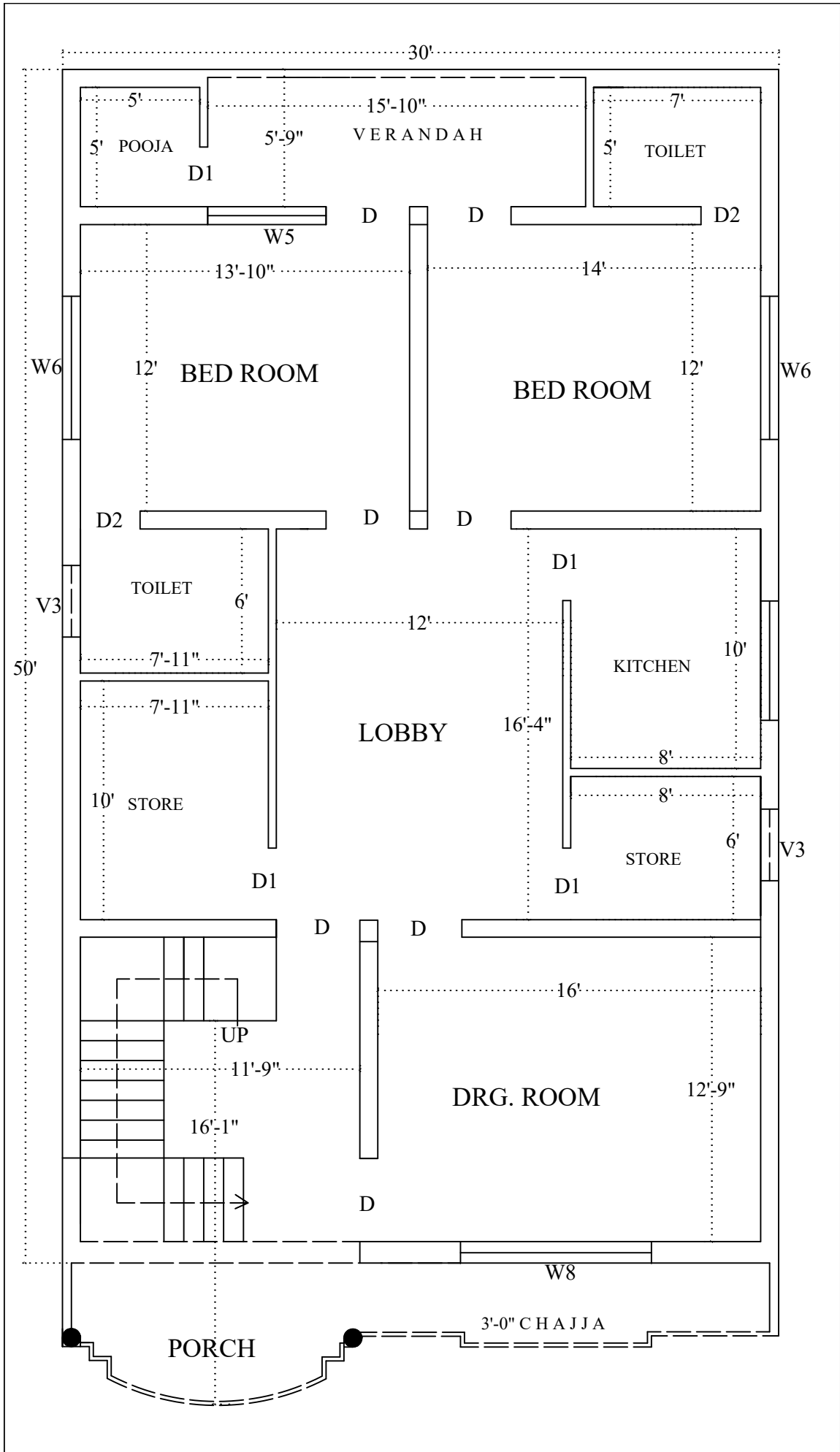


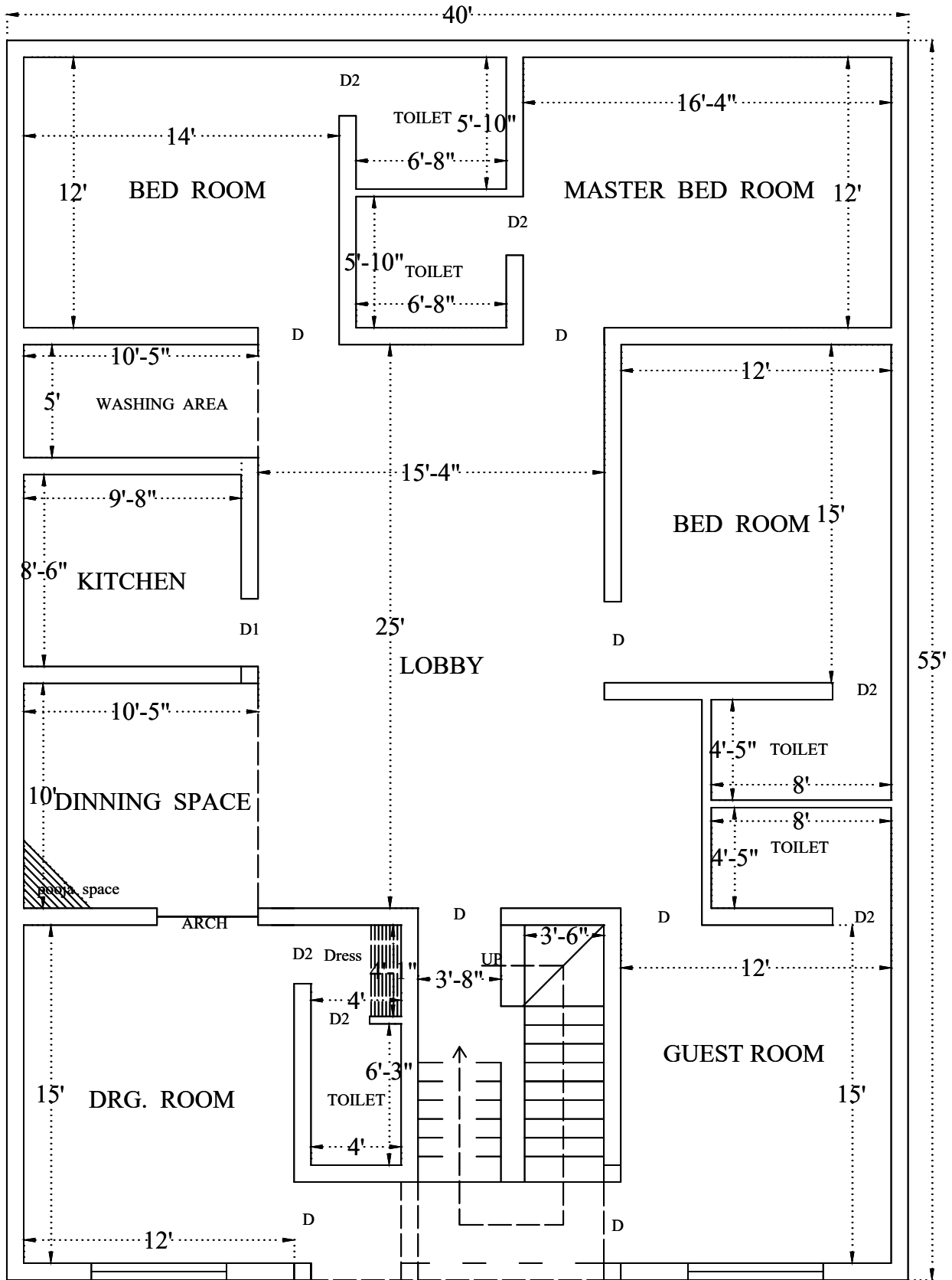
PRO. GROUND FLOOR PLAN OF SRI.



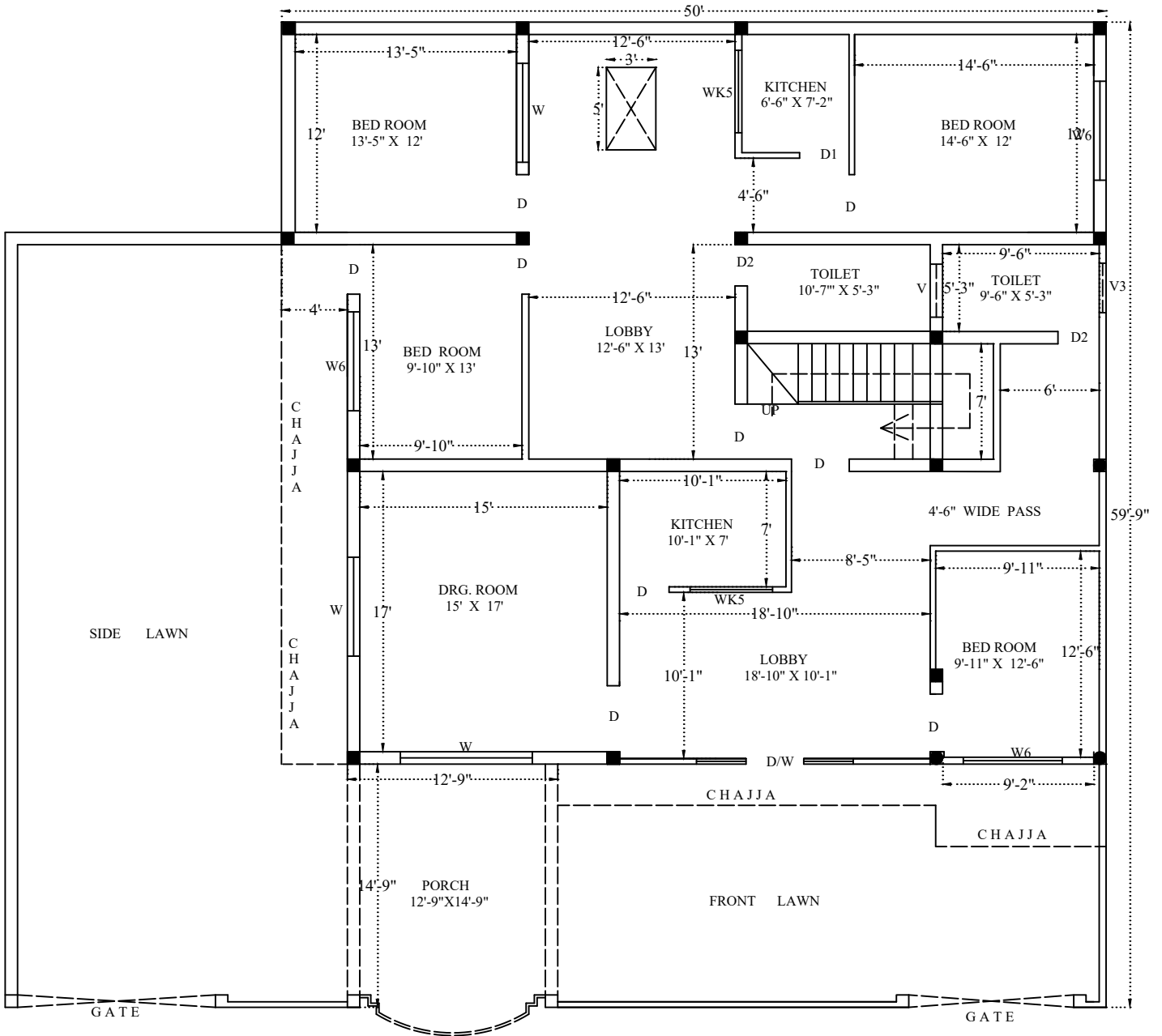


PRO.GROUND FLOOR PLAN

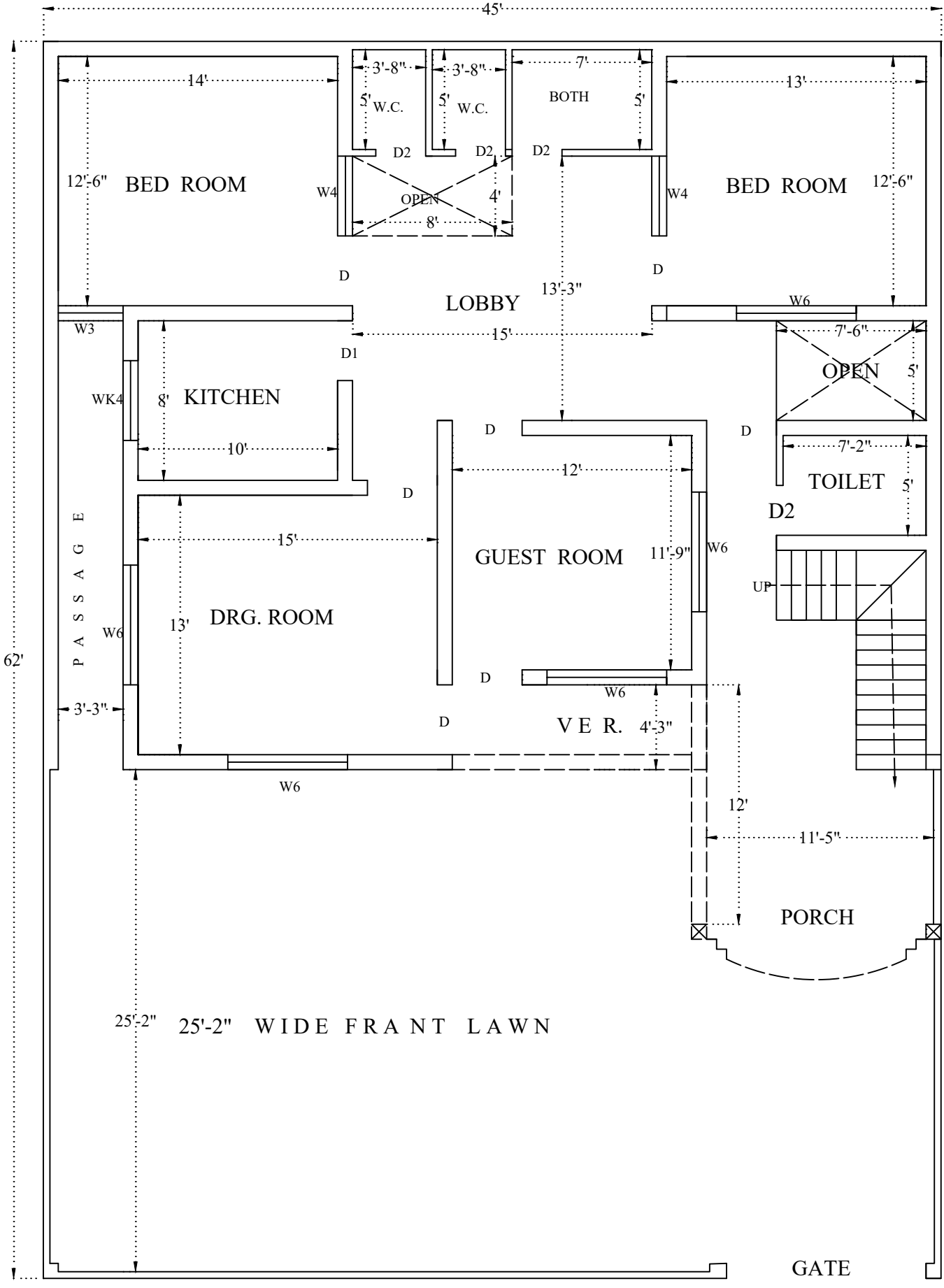


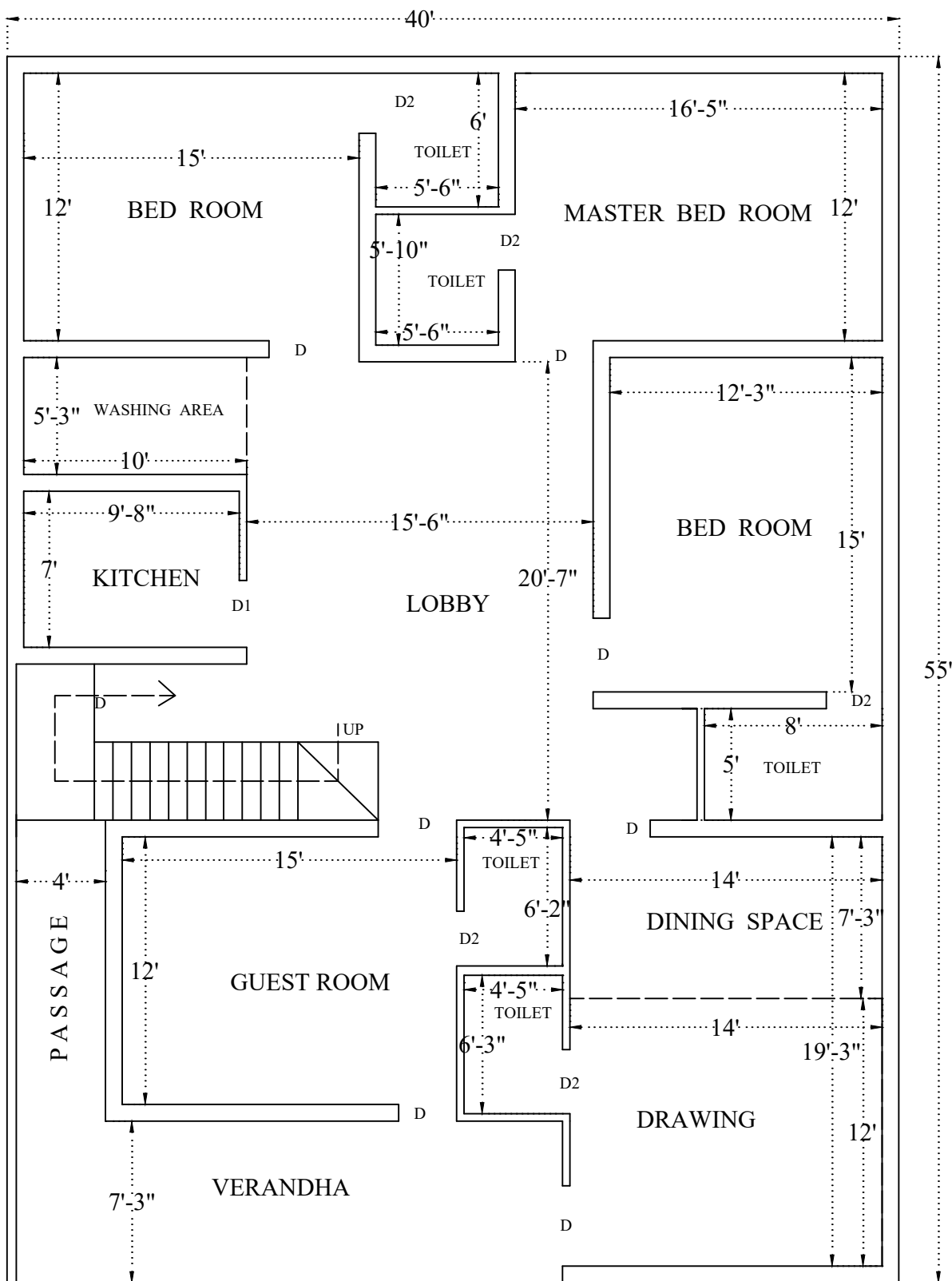


PRO.GROUND FLOOR PLAN

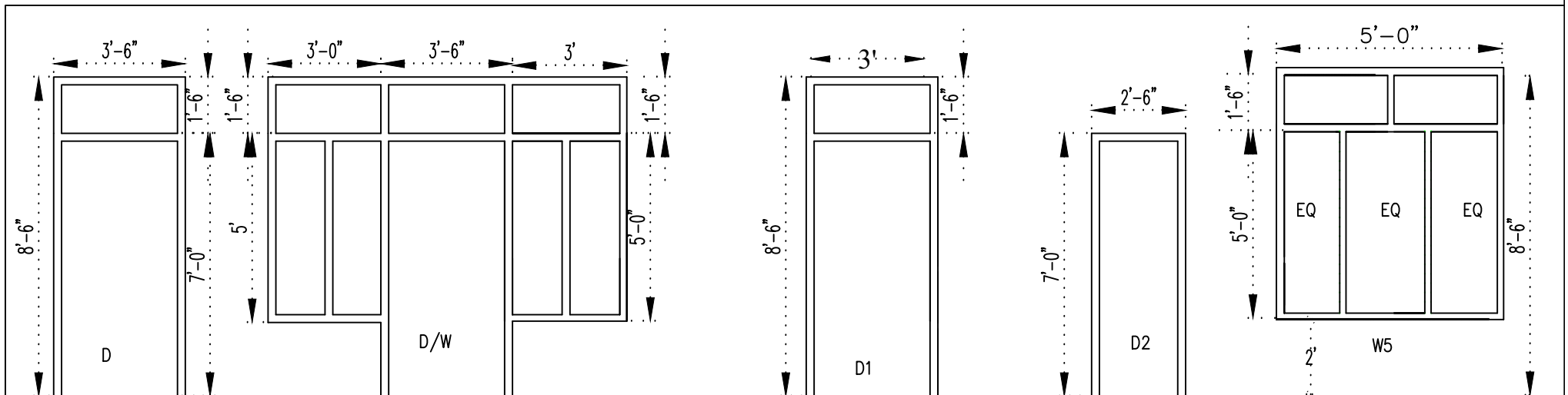


PROPOSE FIRST FLOOR PLAN





PRO.GROUND FLOOR PLAN



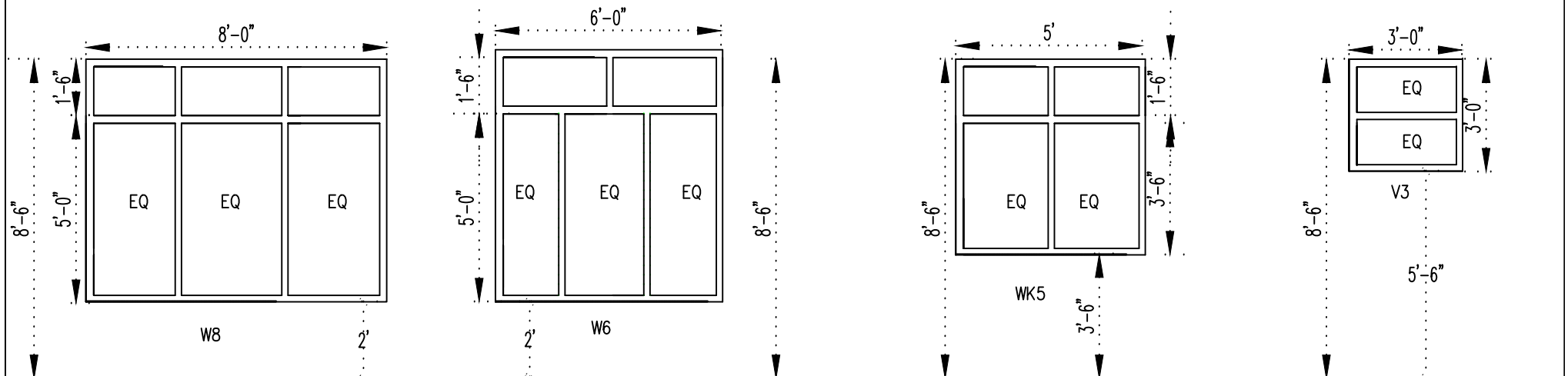
DOOR - D = 07 NO.

DOOR/WINDOW - D/W = 01 NO.

DOOR - D1 = 02 NO.

DOOR - D2 = 04 NO.

WINDOW - W5 = 01 NO.



WINDOW - W8 = 02 NO.

WINDOW - W6 = 03 NO.

WINDOW - WK5 = 01 NO.

VENTILETOR - V = 03 NO.

